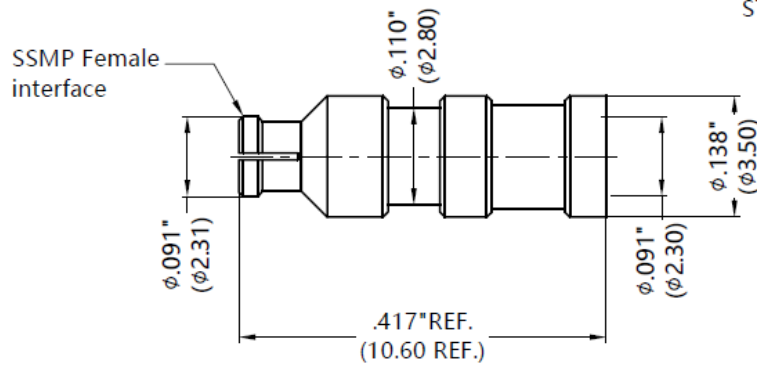
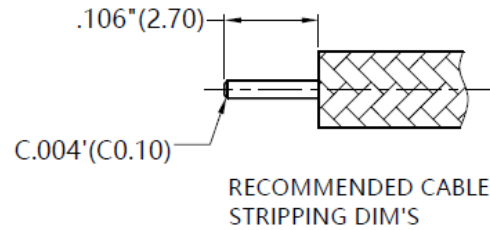


# SC-086-SSMPF

## SSMP Female for 086 Cable

REMARKS:  
 1. ADDS SIZE: .213" (5.4 mm)  
 2. CONTACT PIN AND FERRULE TO SOLDER



Materials and Plating			Electrical Characteristics	
	Material	Plating		
Body	Non-Magnetic BeCu	Gold	Impedance	50Ω
Contact Pin	Non-Magnetic BeCu	Gold	Voltage Rating	335V (rms)
Insulator	PTFE	N/A	Frequency Range	0-18GHz
			Dielectric Withstand Voltage	500V
			Insulation Resistance	5000MΩ
			Insertion Loss	<0.05xSq Rt F(GHz)dB
<b>Mechanical Characterstics</b>			VSWR	<1.3
Recommended Coupling Torque		N/A		
Durability		≥ 100 (Full Detent)	<b>Environmental Characteristics</b>	
		≥ 500 (Smooth Bore)	Temperature Range	-273°C to +125°C