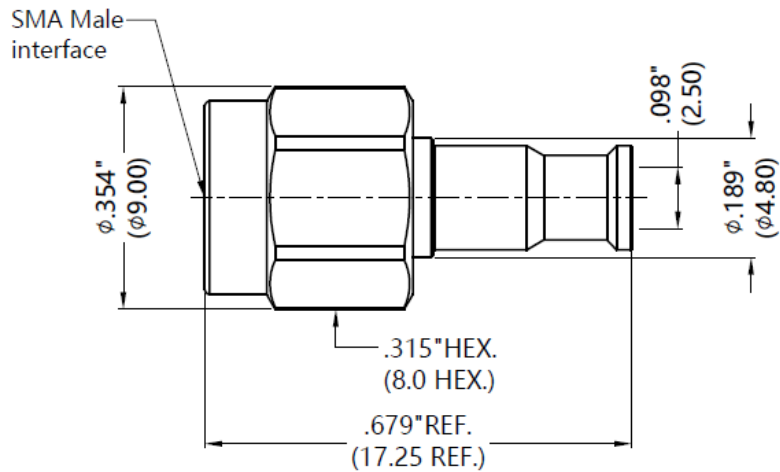
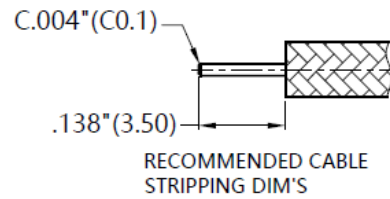


SC-086-SMAM

SMA Male for ASF-086 Cable

REMARKS:
 1. ADDS SIZE: .205" (5.2 mm)
 2. CONTACT PIN AND FERRULE TO SOLDER



Materials and Plating			Electrical Characteristics	
	Material	Plating		
Body Shell	Non-Magnetic BeCu	Gold	Impedance	50Ω
Contact Pin	Non-Magnetic BeCu	Gold	Voltage Rating	335V (rms)
Insulator	PTFE	N/A	Frequency Range	0-18GHz
Coupling Nut	Non-Magnetic BeCu	Gold	Dielectric Withstand Voltage	500V
			Insulation Resistance	1000MΩ
			Insertion Loss	<math><0.5 \times S_q</math> Rt F(GHz)dB
Mechanical Characteristics			VSWR	<math><1.3</math>
Recommended Coupling Torque		7-9 in-lbs		
Coupling Nut Retention Force		>60lbs	Environmental Characteristics	
Mating Cycles		>500 Cycles	Temperature Range	-273°C to +125°C