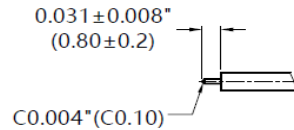
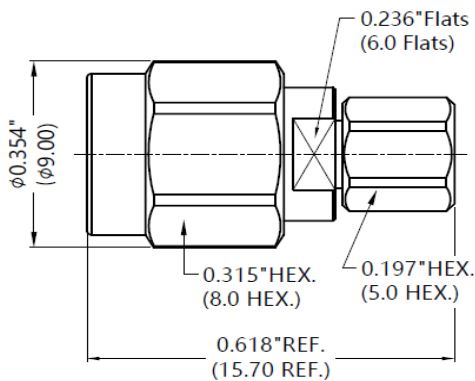


SC0-34-SMAM

SMA Male for SC034 Cable



RECOMMENDED CABLE
STRIPPING DIM'S



| Materials and Plating | | | Electrical Characteristics | |
|----------------------------------|-------------------|--------------|--------------------------------------|-------------------------|
| | Material | Plating | | |
| Body | Non-Magnetic BeCu | Gold | Impedance | 50Ω |
| Contact Pin | Non-Magnetic BeCu | Gold | Voltage Rating | 335V (rms) |
| Insulator | PTFE | N/A | Frequency Range | 0-26.5GHz |
| | | | Dielectric Withstand Voltage | 750V |
| | | | Insulation Resistance | 5000MΩ |
| | | | Insertion Loss | <0.05xSq Rt F(GHz)dB |
| Mechanical Characterstics | | | VSWR | <1.3 |
| Recommended Coupling Torque | | 7-9 in-lbs | | |
| Durability | | ≥ 500 Cycles | Environmental Characteristics | |
| | | | Temperature Range | -273°C to +125°C |