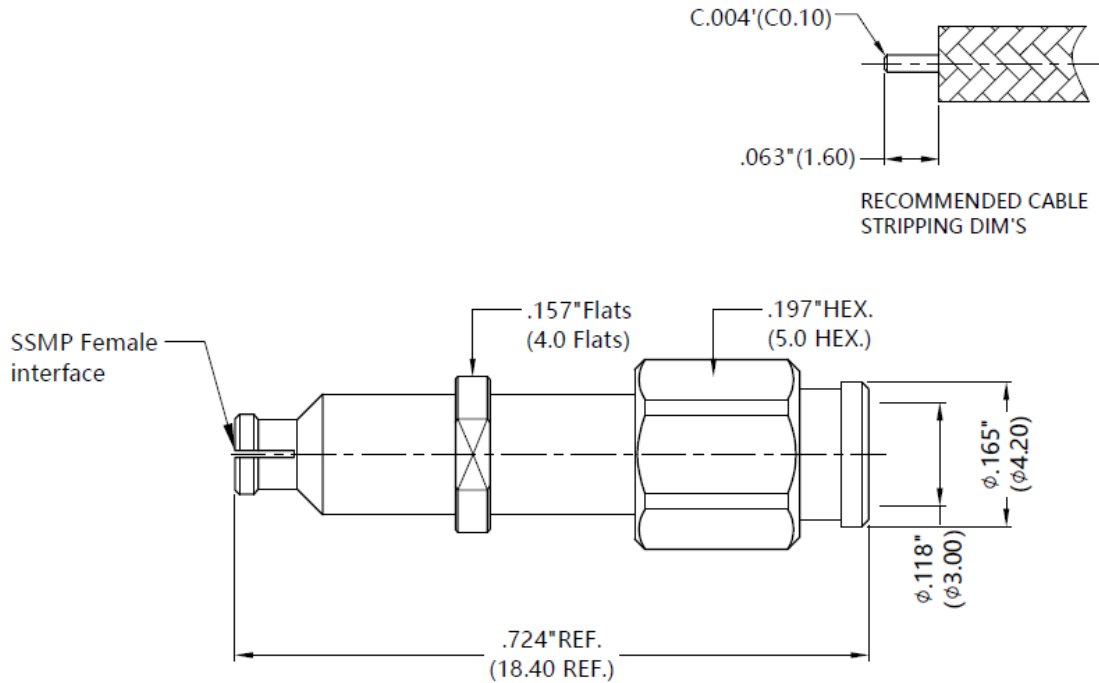


N08-FS019

SSMP Female for 086 Cable



Materials and Plating			Electrical Characteristics	
	Material	Plating		
Body	Non-Magnetic BeCu	Gold	Impedance	50Ω
Contact Pin	Non-Magnetic BeCu	Gold	Voltage Rating	335V (rms)
Insulator	PTFE	N/A	Frequency Range	0-18GHz
			Dielectric Withstand Voltage	150V
			Insulation Resistance	5000MΩ
			Insertion Loss	<0.05xSq Rt F(GHz)dB
Mechanical Characteristics			VSWR	<1.3
Recommended Coupling Torque	N/A			
Durability	≥ 100 (Full Detent)		Environmental Characteristics	
	≥ 500 (Smooth Bore)		Temperature Range	-273°C to +125°C