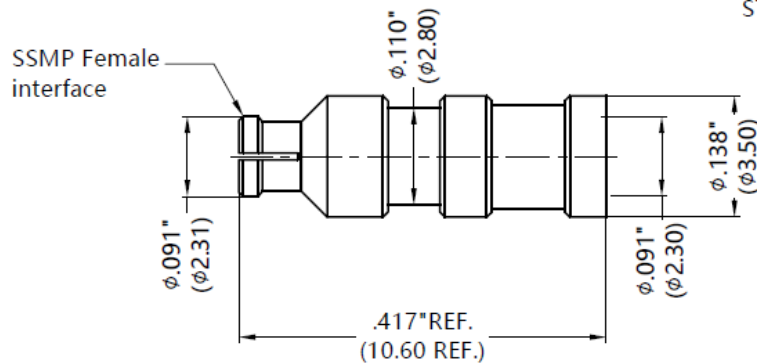
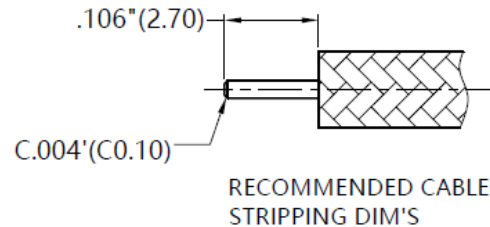


N08-FS017

SSMP Female for 086 Cable

REMARKS:
 1. ADDS SIZE: .213" (5.4 mm)
 2. CONTACT PIN AND FERRULE TO SOLDER



Materials and Plating			Electrical Characteristics	
	Material	Plating		
Body	Non-Magnetic BeCu	Gold	Impedance	50Ω
Contact Pin	Non-Magnetic BeCu	Gold	Voltage Rating	335V (rms)
Insulator	PTFE	N/A	Frequency Range	0-18GHz
			Dielectric Withstand Voltage	500V
			Insulation Resistance	5000MΩ
			Insertion Loss	<math><0.05 \times S_q R_t</math> F(GHz)dB
Mechanical Characteristics			VSWR	<math><1.3</math>
Recommended Coupling Torque		N/A		
Durability		≥ 100 (Full Detent)	Environmental Characteristics	
		≥ 500 (Smooth Bore)	Temperature Range	-273°C to +125°C