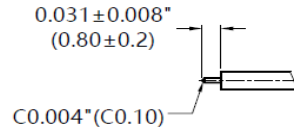
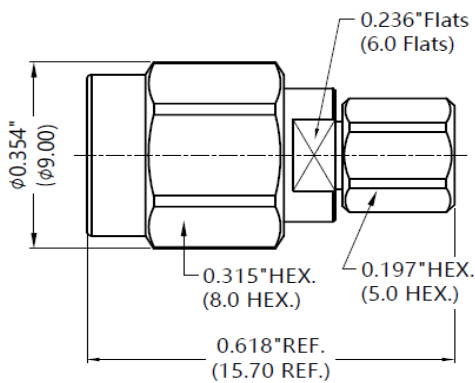


# N01-MS211

## SMA Male for SCTS-SCN034 Cable



RECOMMENDED CABLE  
STRIPPING DIM'S



Materials and Plating			Electrical Characteristics	
	<b>Material</b>	<b>Plating</b>		
Body	Non-Magnetic BeCu	Gold	Impedance	50Ω
Contact Pin	Non-Magnetic BeCu	Gold	Voltage Rating	335V (rms)
Insulator	PTFE	N/A	Frequency Range	0-26.5GHz
			Dielectric Withstand Voltage	750V
			Insulation Resistance	5000MΩ
			Insertion Loss	<0.05xSq Rt F(GHz)dB
<b>Mechanical Characteristics</b>			VSWR	<1.3
Recommended Coupling Torque		7-9 in-lbs		
Durability		≥ 500 Cycles	<b>Environmental Characteristics</b>	
			Temperature Range	-273°C to +125°C